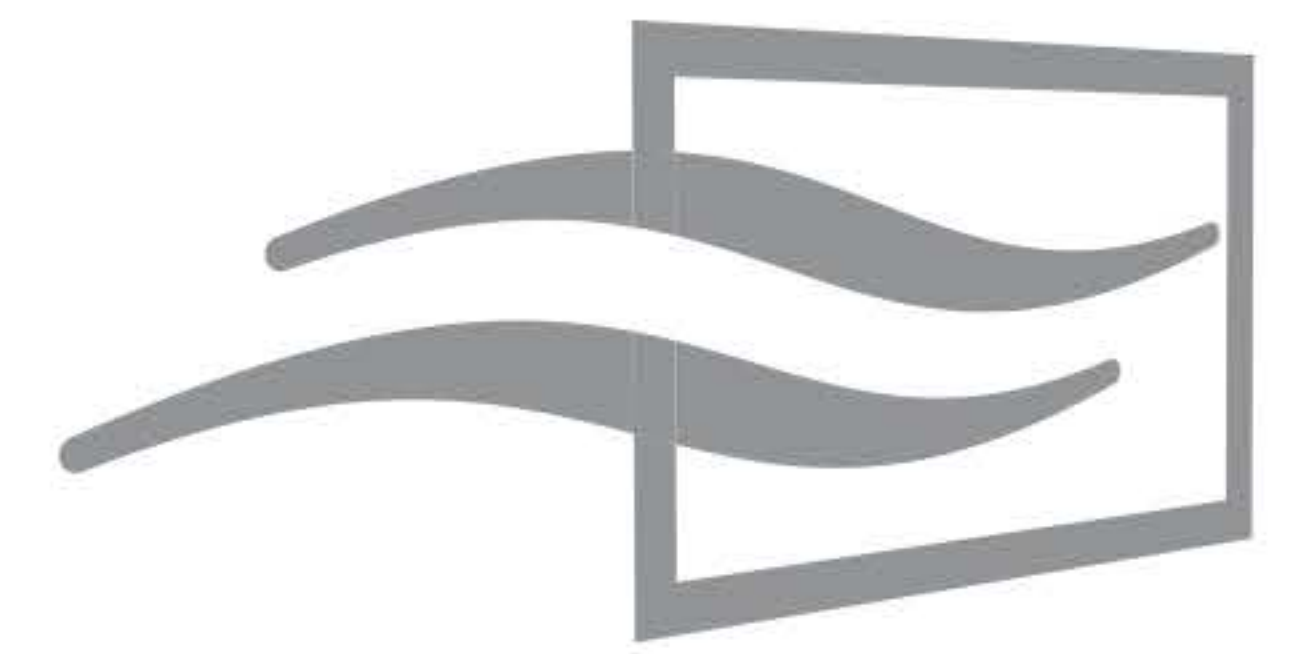


Crawl Space Door

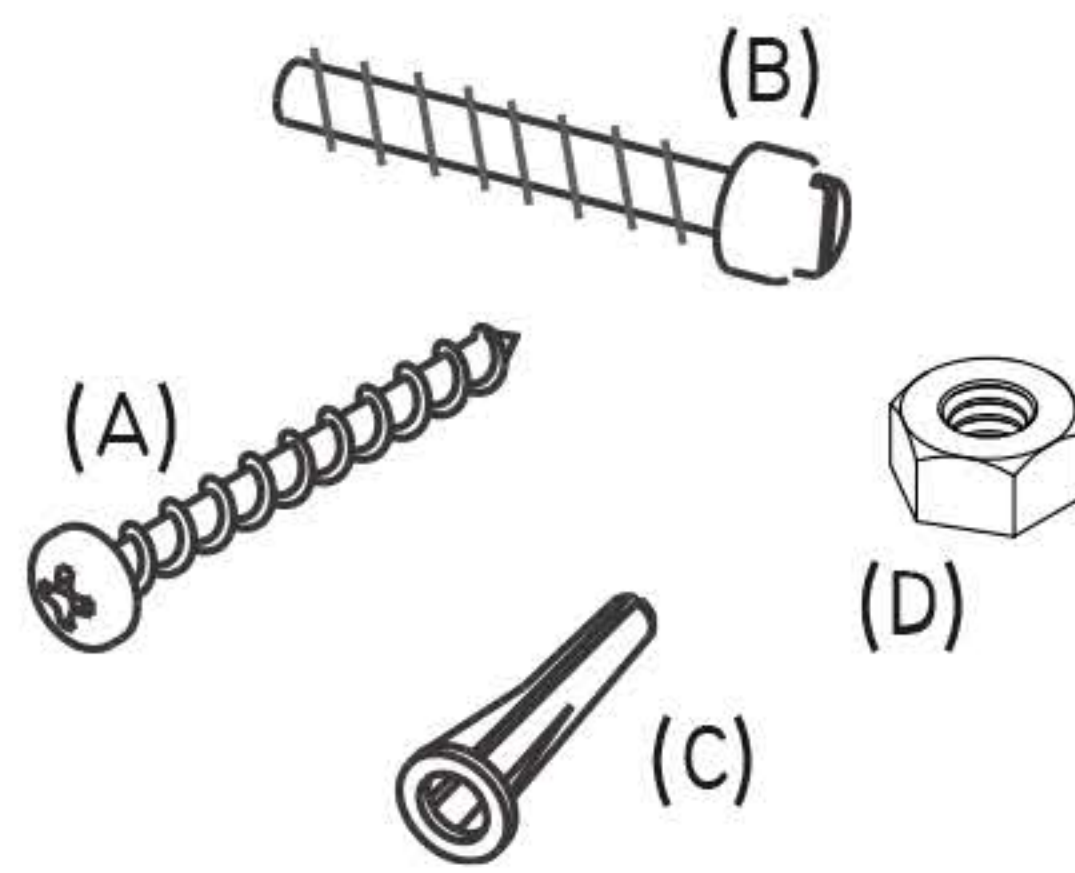
quick+easy Installation Guide



**Crawl Space
Door Systems**
INCORPORATED

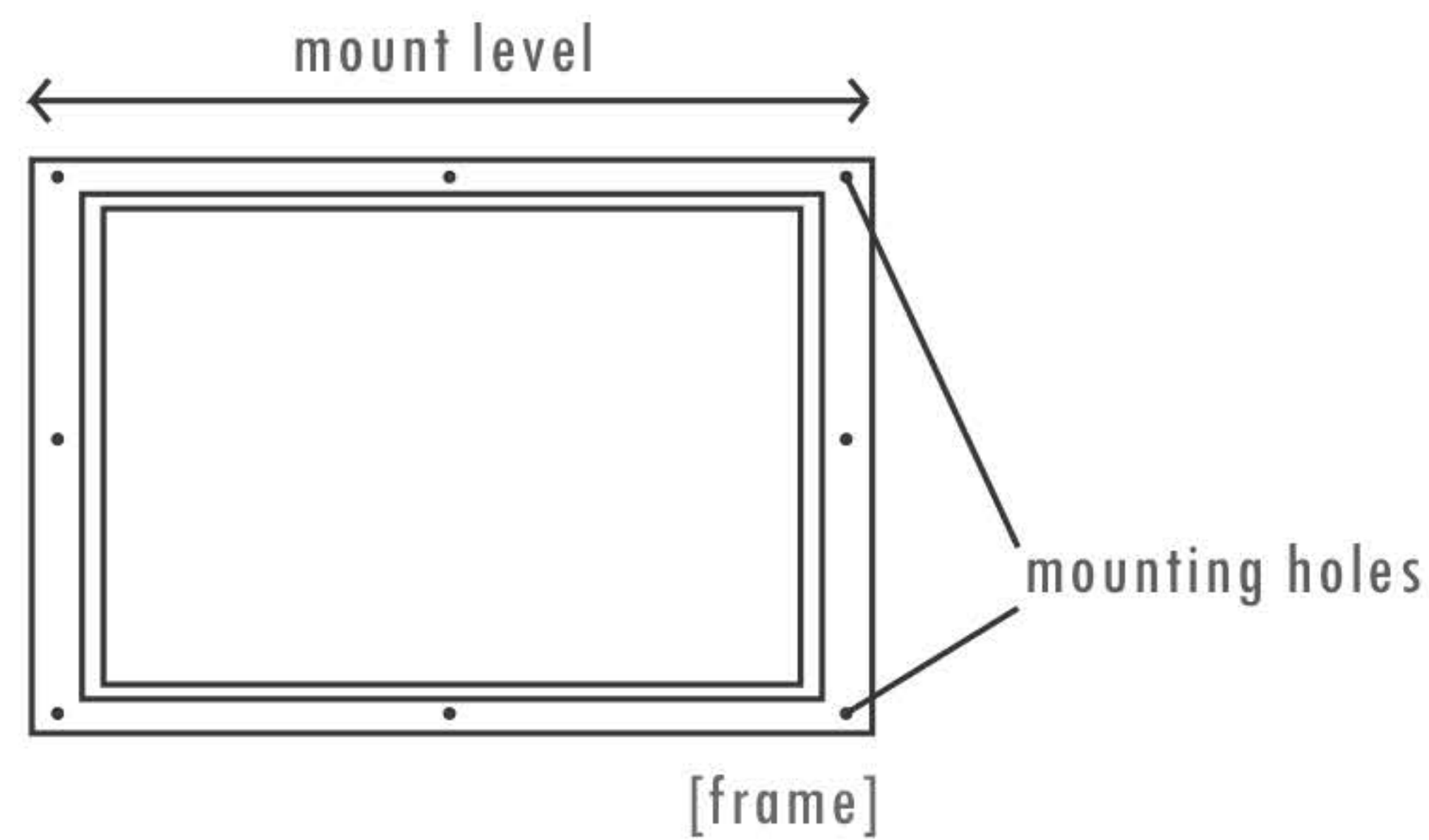
WHAT YOU'LL NEED:

- POWER DRILL
- 1/4" MASONRY BIT
- PHILIPS HEAD SCREWDRIVER
- HAMMER
- LEVEL



INCLUDED IN THE KIT:

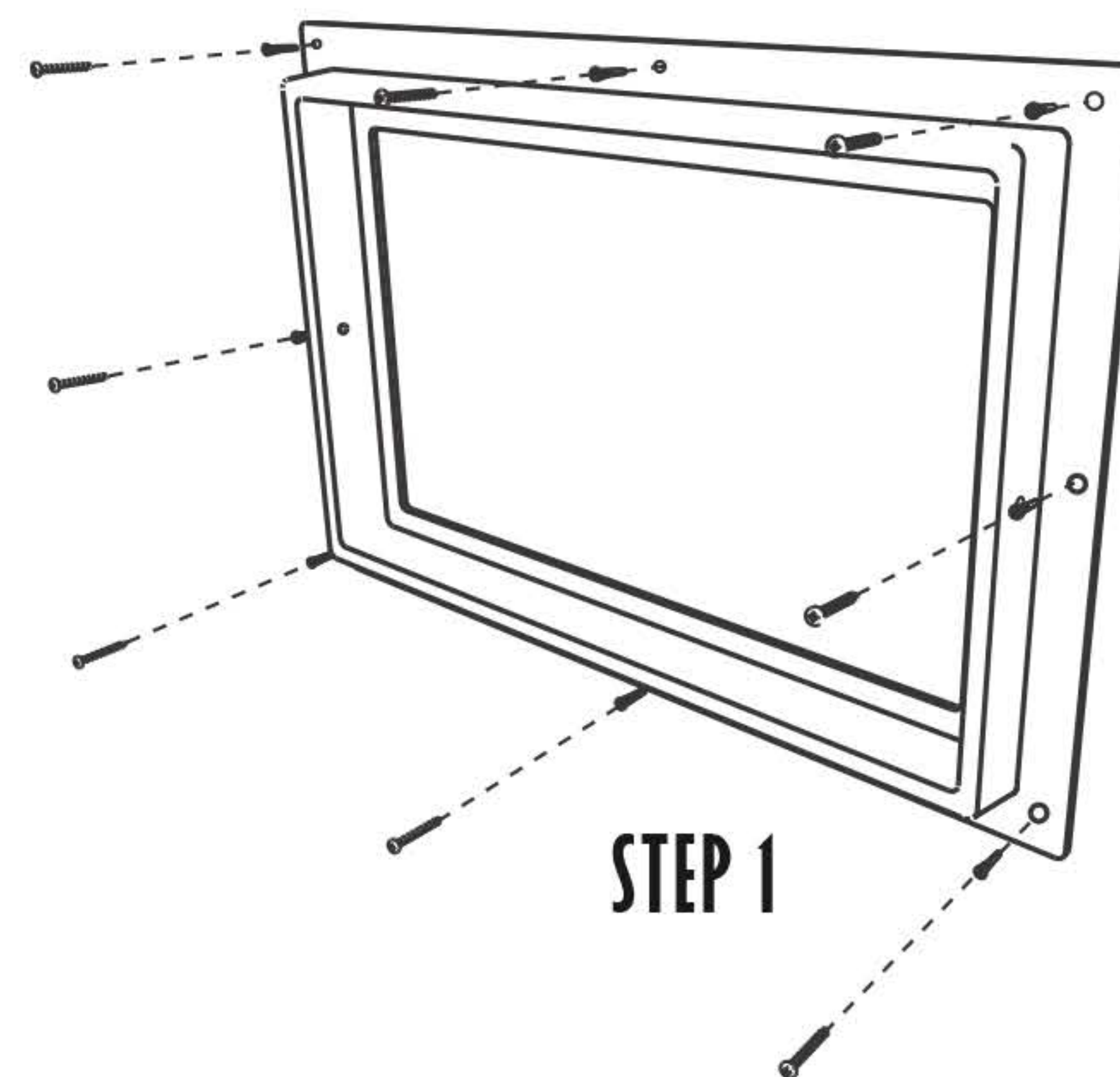
A	SCREWS	D	NUTS
B	THREADED NYLON PINS	E	FRAME
C	ANCHORS	F	LOUVER
		G	COVER



STEP 1.

FRAME INSTALLATION

- BALANCE frame (E) centered over crawlspace opening. With frame (E) in place, drill top center hole.
- INSERT anchor (C) into hole in wall.
- SECURE top center screw (A).
- LEVEL frame (E). With frame (E) held in place, drill remaining holes.
- INSERT remaining anchors (C) into wall.
- SECURE all screws (A).



STEP 2.

LOUVER INSTALLATION

- PLACE louver (F) inside the frame (E).
- SECURE with threaded nylon pins (B) and nuts (D).

-or-

COVER INSTALLATION

- PLACE cover (G) over frame (E).
- SECURE on sides with threaded nylon pins (B).

